

## Description

- 1000/1100Vdc Fuse for Solar Applications
- 10x38mm physical size
- Designed to UL248-19(2579)
- Capable of withstanding high cycling and low level fault current conditions
- Lead Free material

## Applications

- Inverters
- Combiner boxes
- Battery charge controllers



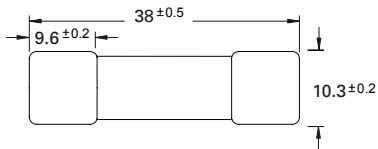
## Specifications

Part No.	Rated Current	Rated Voltage	Breaking Capacity	Energy Integrals I <sup>2</sup> t (A <sup>2</sup> s)		Power Loss	
				Pre-Arcing	Total at 1000V	0.8In(W)	1.0In(W)
10PVT-1A	1A	1100Vdc @ 10kA		0.15	0.4	0.8	1.5
10PVT-2A	2A			1.3	3.4	0.7	1.1
10PVT-3A	3A			4	12	0.8	1.3
10PVT-3.5A	3.5A			6.5	20	0.9	1.4
10PVT-4A	4A			10	28	1.1	1.4
10PVT-5A	5A			19	50	1.1	1.4
10PVT-6A	6A			32	93	1.2	1.8
10PVT-8A	8A			85	205	1.2	2.2
10PVT-10A	10A			30	70	1.3	2.3
10PVT-12A	12A			98	150	1.5	2.8
10PVT-15A	15A	1000Vdc @ 10kA		149	230	1.8	3
10PVT-20A	20A			229	330	2.4	3.6
10PVT-25A	25A			411	500	2.6	4.1
10PVT-30A	30A			1200	2500	4.3	5.7

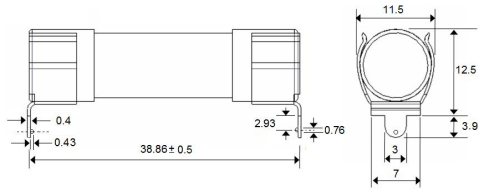
- DC Cold Resistance are measured at <10% of rated current in ambient temperature of 25 °C
- Typical Pre-arcing I<sup>2</sup>t are measured at 10In Current

### Dimension

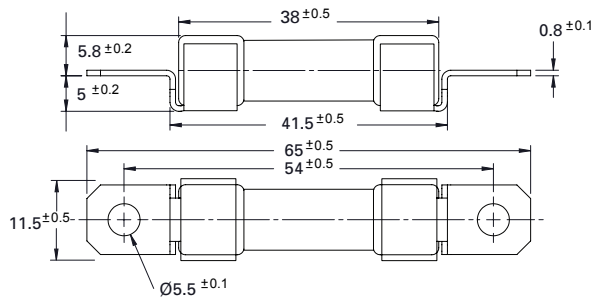
Standard cylindrical (Ordering code: 10PVT-xxA):



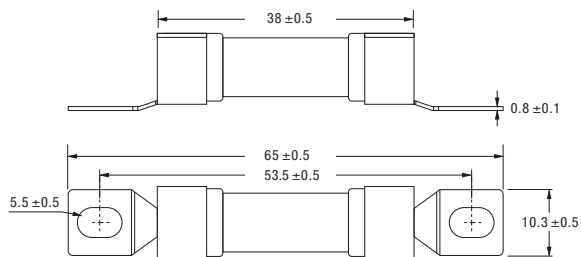
With PCB wave-soldering terminals (Ordering code: 10PVT-xxA-P)



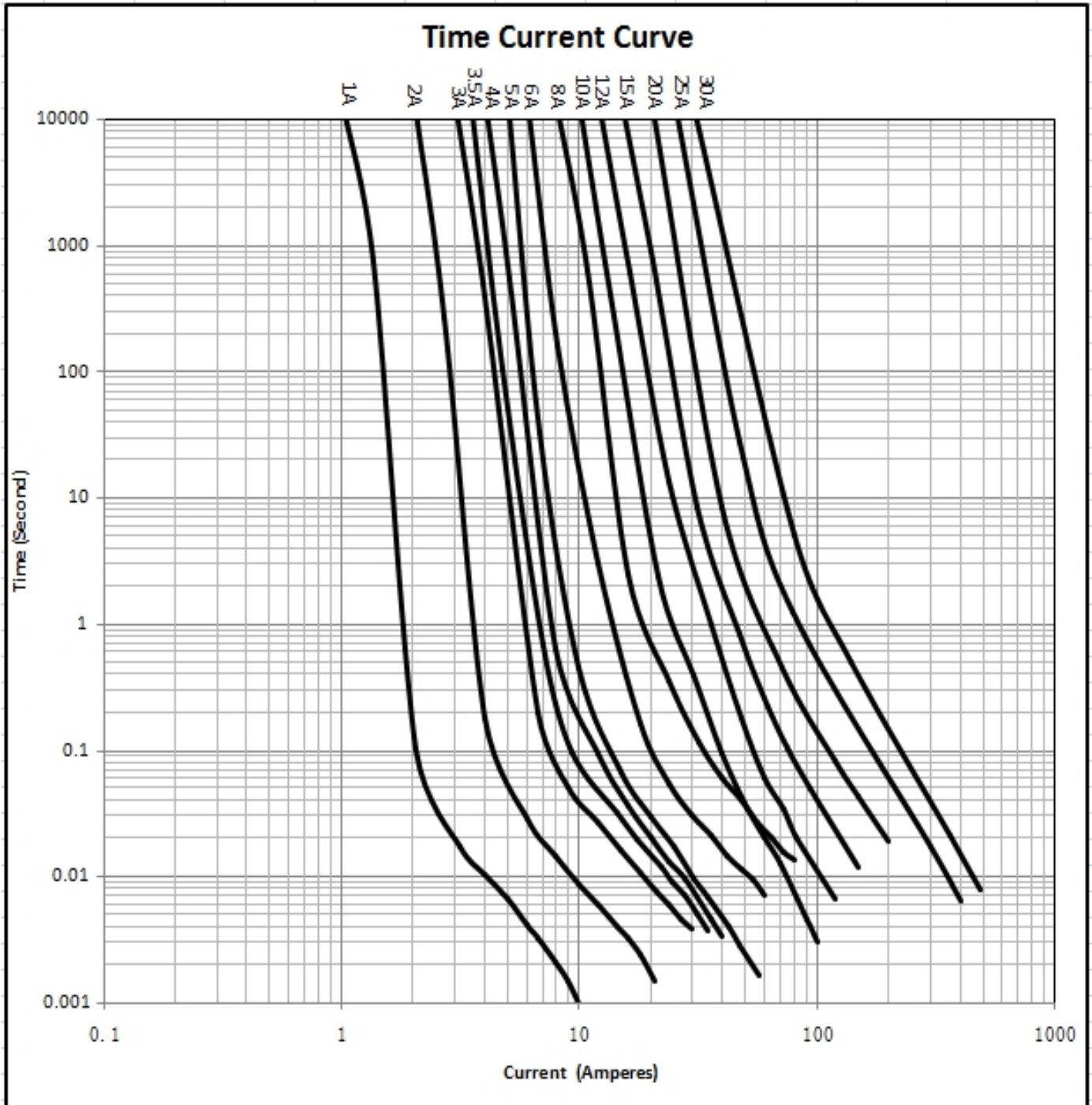
Bolt fixing (Ordering code: 10PVT-xxA-B):



Flush bolt-on (Ordering code: 10PVT-xxA-T):



### Time-Current Characteristics



**Package**  
10 fuses in one carton (cylindrical)